



Bullhead

**For T-corners,
90° corners (+/- 40°)**
with PZ/PZC (ball & socket) sheet piles

Installation

1. Please review the proper interlocking examples that are listed.
2. Thread the connector into the interlock while the sheet pile is out of the ground.
3. Adjust the connector to the appropriate position.
4. Tack or spot-weld the connector in place. Typically, a ~250mm (~10") weld, attaching the connector to the sheet pile to the top is sufficient.
5. Drive/extract the sheet pile (with the connector attached) as you would normally.

Properties

Steel grade:	S355GP, S430GP
	ASTM A572 Gr. 50/60
	ASTM A690 MARINER™ Steel
Weight:	~9.72 lb / ft



Bullhead

**Raccord en T,
raccord d'angle (90°)**
Pour PZ et PZC (Ball + Socket)

Domaines d'emploi

Raccordement de trois palplanches

Caractéristiques

Nuances d'acier:	S355GP, S430GP
	ASTM A572 Gr. 50/60
	ASTM A690 MARINER™ Steel
Poids:	~14,5 kg/m



Bullhead

**T-Verbindung,
90° Eckverbindung**
Für PZ und PZC (Ball and Socket)

Einsatzgebiet

Verbinden von drei Spundwänden



Eigenschaften

Stahlgüten:	S355GP, S430GP
	ASTM A572 Gr. 50/60
	ASTM A690 MARINER™ Steel
Gewicht:	~14,5 kg/m



Bullhead

**Connessione a T,
connessione per angolo a 90°**
Per PZ e PZC (maschio e femmina)

Campo di applicazione

Connessione di tre palancole

Caratteristiche

Qualità dell'acciaio:	S355GP, S430GP
	ASTM A572 Gr. 50/60
	ASTM A690 MARINER™ Steel
Peso:	~14,5 kg/m



Bullhead

**Unión en T,
unión angular de 90°**
Para PZ y PZC (Ball and Socket)

Ámbito de aplicaciones

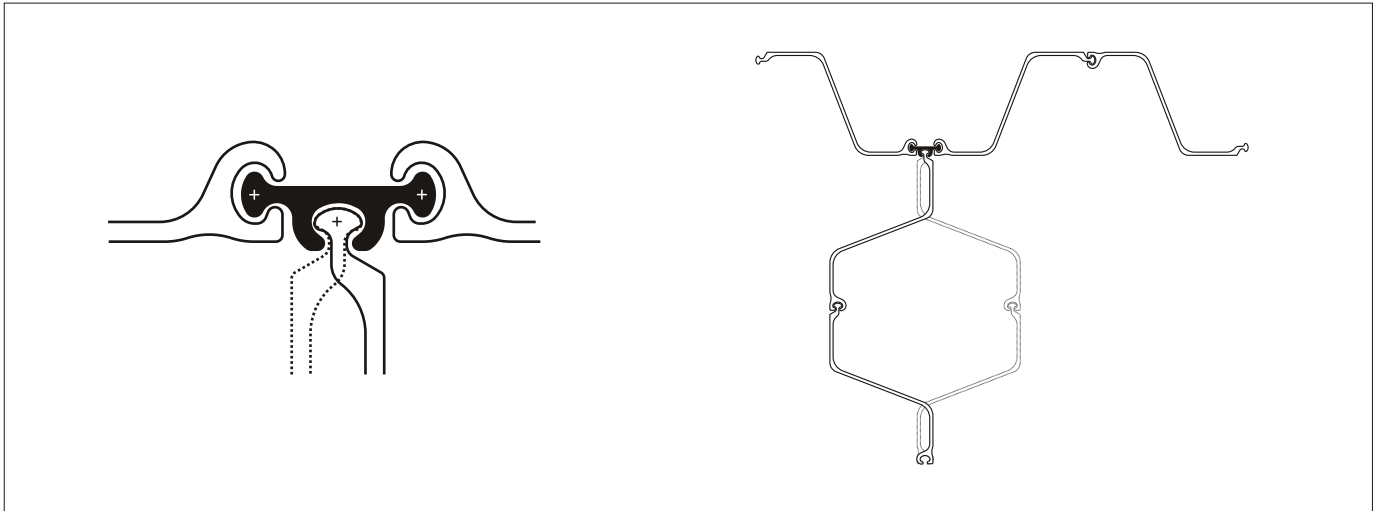
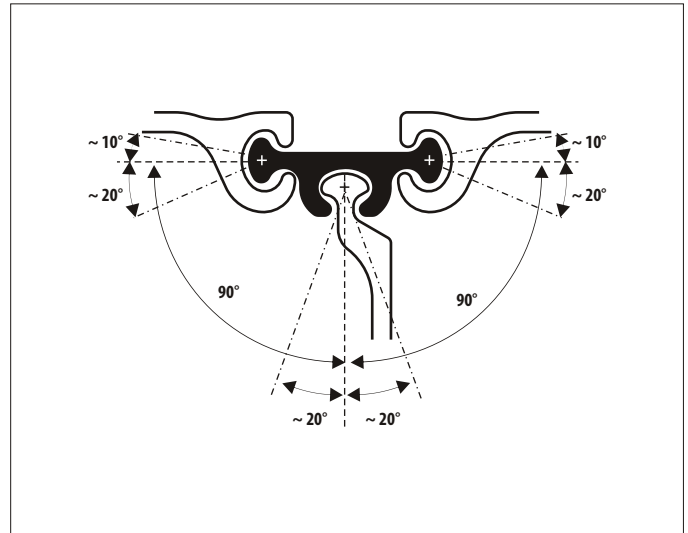
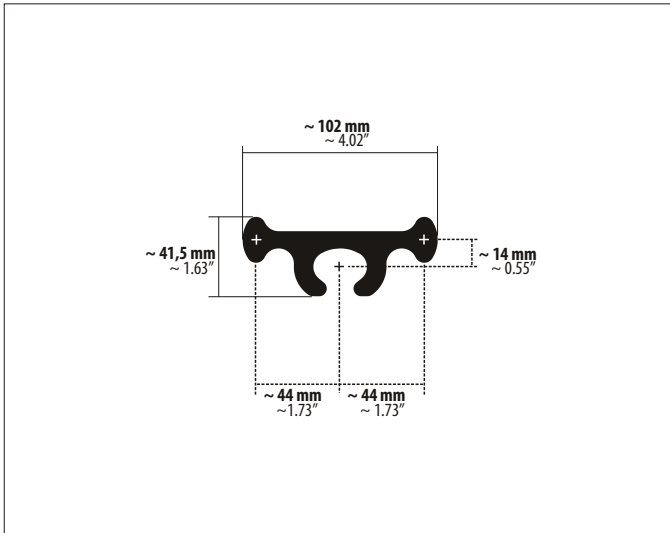
Unión de tres tablestacas

Propiedades

Calidades de acero:	S355GP, S430GP
	ASTM A572 Gr. 50/60
	ASTM A690 MARINER™ Steel
Peso:	~14,5 kg/m

Bullhead

for Ball & Socket (PZ / PZC)



28

